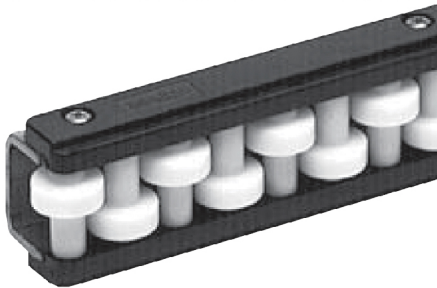


材質：

- 不鏽鋼型：螺絲為AISI 304，滾子桿為AISI 430F
- 鐵鍍新型：螺絲與滾子桿為鐵鍍鋅材質
- 滾子為POM材質
- 側邊塑膠部份為加強Polyamide PA

■ 單排算盤子護欄



■ 雙排算盤子護欄



■ 參排算盤子護欄

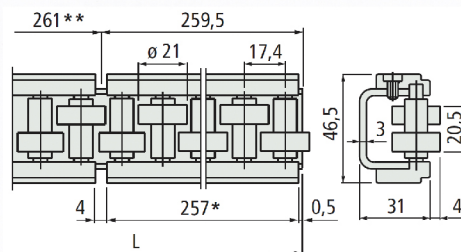


Guide rail for accumulation
算盤子護欄

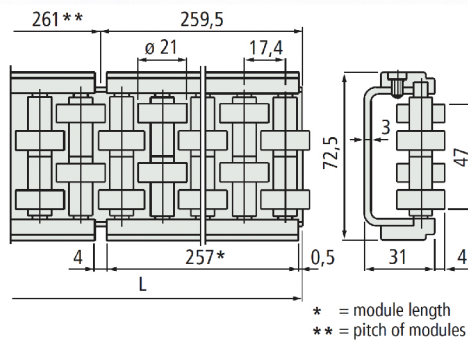
Material:

- Version with stainless steel profile: screws in stainless steel AISI 304, roller pins in stainless steel AISI 430F.
- Version with zinc plated steel profile screws & roller pins in zinc plated steel.
- Roller in acetal POM.
- Side straps reinforced polyamide PA.

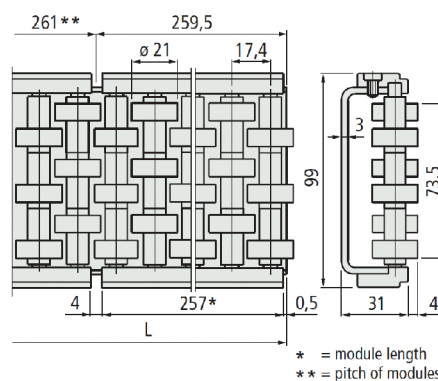
■ 128-62640 Guide rail for accumulation



■ 128-62650 Guide rail for accumulation



■ 128-62660 Guide rail for accumulation



Product Material 產品材質	Length (L)長度L
AISI 304不鏽鋼	1041
AISI 304不鏽鋼	128-6264

Product Material 產品材質	Length (L)長度L
AISI 304不鏽鋼	1041
AISI 304不鏽鋼	128-6265

Product Material 產品材質	Length (L)長度L
AISI 304不鏽鋼	1041
AISI 304不鏽鋼	128-6266