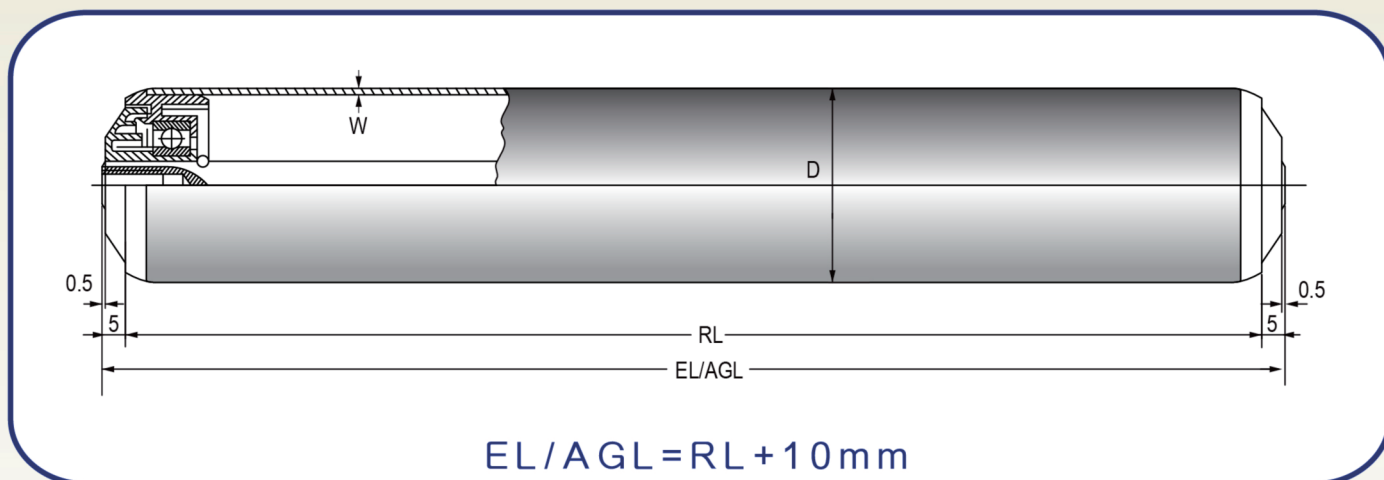


自由式輸送滾筒

Universal Conveyor Roller

內牙軸心 Female threaded spindle



外管材質 Tube Quality	管徑及管厚 Dia. Wall Thickness D x W	料號/滾筒長度RL必須註明 Ref. No. roller length RL must be specified 軸心外徑 Spindle mm		
		8.10	12	14
ABS	42*2.8	UC0P42.28.10	UC0P42.28.12	UC0P42.28.14
	50*2.8	UC0P50.28.10	UC0P50.28.12	UC0P50.28.14
	60*3.0	UC0P60.20.10	UC0P60.30.12	UC0P60.30.14
鋼鍍鋅 Zinc plated steel	25*1.5	UC0Z25.15.08		
	32*1.5	UC0Z32.15.10	UC0Z32.15.12	UC0Z32.15.14
	38*1.5	UC0Z38.15.10	UC0Z38.15.12	UC0Z38.15.14
	42*2.0	UC0Z42.20.10	UC0Z42.20.12	UC0Z42.20.14
	50*1.5	UC0Z50.15.10	UC0Z50.15.12	UC0Z50.15.14
	57*1.5	UC0Z57.15.10	UC0Z57.15.12	UC0Z57.15.14
不鏽鋼 Stainless steel	60*2.0	UC0Z60.20.10	UC0Z60.20.12	UC0Z60.20.14
	25*1.5	UC0S25.15.08		
	32*1.5	UC0S32.15.10	UC0S32.15.12	UC0S32.15.14
	38*1.5	UC0S38.15.10	UC0S38.15.12	UC0S38.15.14
	42*2.0	UC0S42.20.10	UC0S42.20.12	UC0S42.20.14
包層管 Stainless-steel-clad tubes	50*1.5	UC0S50.15.10	UC0S50.15.12	UC0S50.15.14
	60*2.0	UC0S60.20.10	UC0S60.20.12	UC0S60.20.14
	25*1.5	UC0C25.15.08		
	32*1.5	UC0C32.15.10	UC0C32.15.12	UC0C32.15.14
	38*1.5	UC0C38.15.10	UC0C38.15.12	UC0C38.15.14
	42*1.5	UC0C42.15.10	UC0C42.15.12	UC0C42.15.14
	50*1.5	UC0C50.15.10	UC0C50.15.12	UC0C50.15.14
57*1.5	UC0C57.15.10	UC0C57.15.12	UC0C57.15.14	
60*2.0	UC0C60.20.10	UC0C60.20.12	UC0C60.20.14	

鋼製雙蓋工業軸承 Precision bearing 6002 ZZ
 光圓鐵軸心 Spindle steel self color
 訂貨時請註明EL的長度 Please specify the roller length EL when ordering