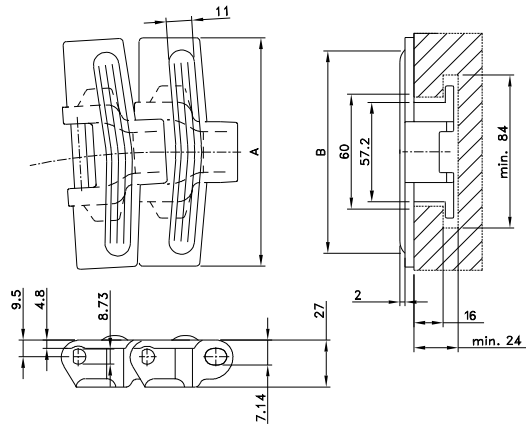
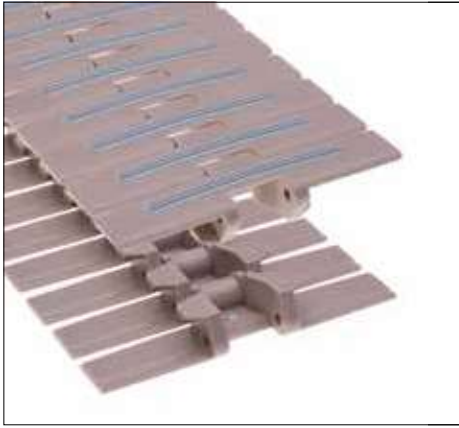


Standard Radius Heavy Duty Single Hinge Tab



Chain Type	Code Number	Plate Width A		Weight kg/m	Sideflex Radius (min) mm	Working Load (max.) N (21°C)	Backflex Radius (min) mm	Plate Thickness mm
		mm	inch					

LF-Acetal

HFP 882 TAB-K750	L0882691681	190.5	7.50	2.43	610	3830	40	4.8
HFP 882 TAB-K1000	L0882692981	254.0	10.00	2.87				
HFP 882 TAB-K1200	L0882691811	304.8	12.00	3.41				

Standard length: 3.048 m - 10 feet (80 links).

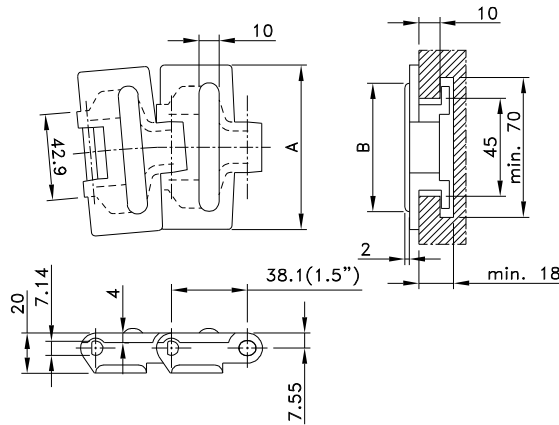
The width (B) of the rubber varies per chain type:

132, 195 and 246 mm for respectively HFP 882 TAB-K750, HFP 882 TAB-K1000 and HFP 882 TAB-K1200.

Other rubber patterns and materials are possible.

Minimum order quantity 30.48 m - 100 feet.

Standard Radius Single Hinge Tab



Chain Type	Code Number	Plate Width A		Weight kg/m	Sideflex Radius (min) mm	Working Load (max.) N (21°C)	Backflex Radius (min) mm	Plate Thickness mm
		mm	inch					

LF-Acetal

HFP 880 TAB-K325	L0880691121	82.5	3.25	0.94	457	2100	40	4.0
HFP 880 TAB-K450	L0880684291	114.3	4.50	1.08	500			

Standard length: 3.048 m - 10 feet (80 links).

The width (B) of the rubber varies per chain type:

65 and 95 mm for respectively HFP 880 TAB-K325 and HFP 880 TAB-K450.

Other rubber patterns and materials are possible.

* Minimum order quantity 30.48 m - 100 feet.