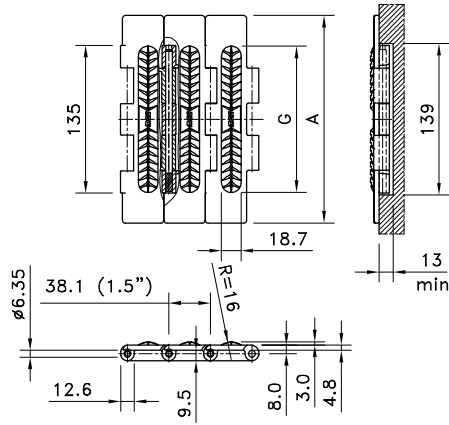


## Straight Run Double Hinge Supergrip



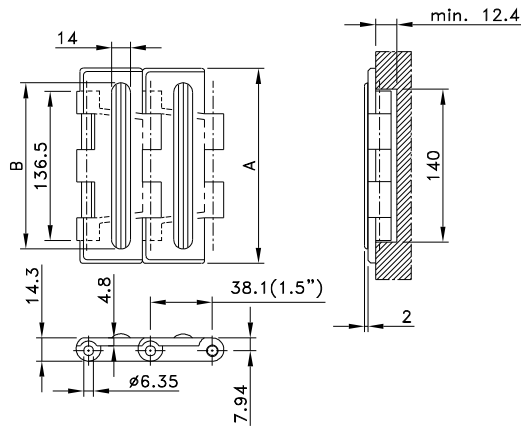
Chain Type	Code Number	Plate Width		Weight	Working Load (max.)	Backflex Radius (min)	Plate Thickness
		A					
PBT							
		mm	inch	kg/m	N (21°C)	mm	mm
SWH 750 SG	780.11.77	7.50	190.5	2.29	2680	50	4.8
SWH 1000 SG	780.11.90	254.0	10.00	2.67			
SWH 1200 SG	780.11.92	304.8	12.00	3.06			

Standard length: 3.048 m - 10 feet (80 links).

The width (G) of the moulded-in rubber top varies per chain type:

134, 192.1 and 252.5 mm for respectively SWH 750 SG, SWH 1000 SG and SWH 1200 SG.

## Straight Run Double Hinge



Chain Type	Code Number	Plate Width		Weight	Working Load (max.)	Backflex Radius (min)	Plate Thickness
		A					
LF-Acetal							
		mm	inch	kg/m	N (21°C)	mm	mm
HFP 821-K750	L0821683171*	190.5	7.50	2.50	2680	40	4.8
HFP 821-K1000	L0821688301*	254.0	10.00	2.95			
HFP 821-K1200	L0821688511*	304.8	12.00	3.25			

Standard length: 3.048 m - 10 feet (80 links).

The width (B) of the rubber varies per chain type:

132, 195 and 245 mm for respectively HFP 821-K750, HFP 821-K1000 and HFP 821-K1200.

\* Minimum order quantity 30.48 m - 100 feet.