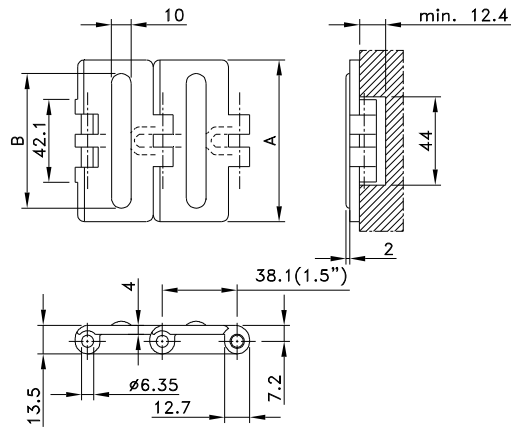


## Straight Run Single Hinge



Chain Type	Code Number	Plate Width		Weight	Working Load (max.)	Backflex Radius (min)	Plate Thickness
		A					
		mm	inch	kg/m	N (21°C)	mm	mm
<b>LF-Acetal</b>							
HFP 820-K325	L0820688461	82.5	3.25	0.83	1230	40	4.0
HFP 820-K400	L0820610152	101.6	4.00	0.95			
HFP 820-K450	L0820606852	114.3	4.50	1.03			
HFP 820-K600	L0820610172	152.4	6.00	1.25			

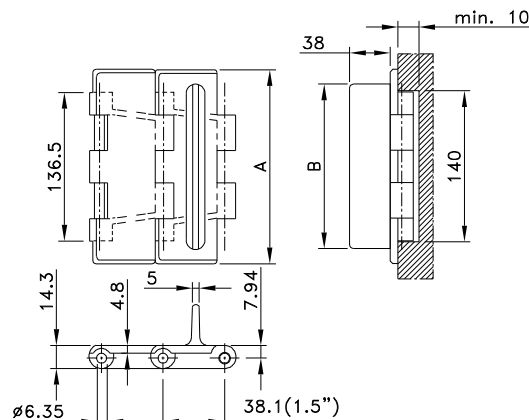
Standard length: 3.048 m - 10 feet (80 links).

The width (B) of the rubber varies per chain type:

65.0, 84, 96 and 135.0 for respectively HFP 820-K325, HFP 820-K400, HFP 820-K450 and HFP 820-K600.

Minimum order quantity 30.48 m – 100 feet.

## Straight Run Double Hinge Rubber Pushers



Chain Type	Code Number	Plate Width		Weight	Working Load (max.)	Backflex Radius (min)	Plate Thickness
		A					
		mm	inch	kg/m	N (21°C)	mm	mm
<b>LF-Acetal</b>							
HFP 821-K750 F	L0821609752*	190.5	7.50	2.43	2680	70	4.8
HFP 821-K1000 F	L0821609762*	254.0	10.00	2.85			
HFP 821-K1200 F	L0821609772*	304.8	12.00	3.17			

Standard length: 3.048 m – 10 feet (80 links).

The width (B) of the pushers varies per chain type:

151, 214 and 265 mm for respectively HFP 821-K750 F, HFP 821-K1000 F and HFP 821-K1200 F.

\* Minimum order quantity 30.48 m – 100 feet.