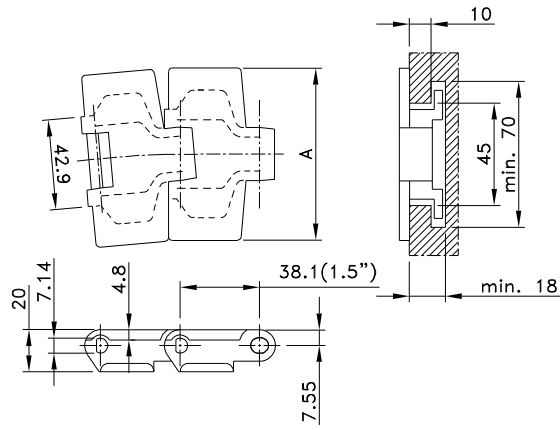


Standard Radius Single Hinge Tab With Thick Top Plate



Chain Type	Code Number	Plate Width		Weight	Sideflex Radius (min)	Working Load (max.)	Backflex Radius (min)	Plate Thickness
		A						
		mm	inch	kg/m	mm	N (21°C)	mm	mm
XL-Acetal								
RHD 325 XL	751.62.31	82.5	3.25	0.98	457	2100	50	4.8
RHD 450 XL	751.62.42	114.3	4.50	1.14	610			
LF-Acetal								
LF 879 TAB-K325	L0879604071	82.5	3.25	0.98	457	2100	40	4.8
LF 879 TAB-K450	L0879604081	114.3	4.50	1.14	610			

Standard length: 3.048 m - 10 feet (80 links).

