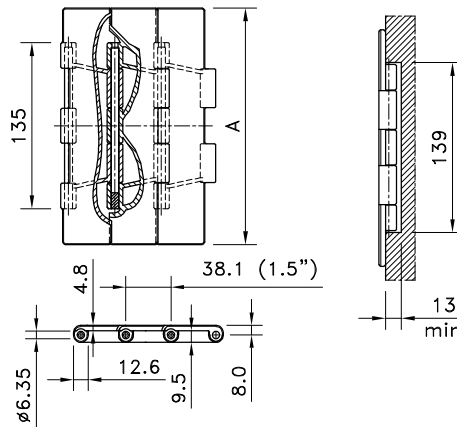


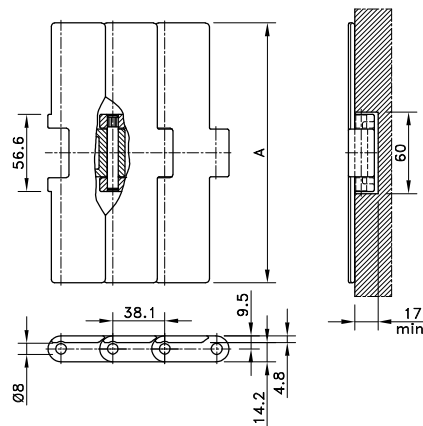
Straight Run Double Hinge



Chain Type	Code Number	Plate Width		Weight	Working Load (max.)	Backflex Radius (min)	Plate Thickness
		A					
		mm	inch	kg/m	N (21°C)	mm	mm
XL-Acetal							
SWH 750 XL	750.72.77	190.5	7.50	2.48	2680	50	4.8
SWH 1000 XL	750.72.91	254.0	10.00	2.82			
SWH 1200 XL	750.72.92	304.8	12.00	3.12			
LF-Acetal							
LF 821-K750	L0821603931	190.5	7.50	2.50	2680	50	4.8
LF 821-K1000	L0821603941	254.0	10.00	2.95			
LF 821-K1200	L0821603951	304.8	12.00	3.25			
HP-Acetal							
HP 821-K750	L0821613161	190.5	7.50	2.50	2680	50	4.8
HP 821-K1000	L0821613171	254.0	10.00	2.95			
HP 821-K1200	L0821613181	304.8	12.00	3.25			
BWX-Polyamide Composite							
BWX 821-K750	L0821652213*	190.5	7.50	2.50	2680	50	4.8

Standard length: 3.048 m - 10 feet (80 links). * Ask customer service for minimum order quantity.

Straight Run Heavy Duty



Chain Type	Code Number	Plate Width		Weight	Working Load (max.)	Backflex Radius (min)	Plate Thickness
		A					
		mm	inch	kg/m	N (21°C)	mm	mm
XL-Acetal							
HDS 750 XL	752.62.72	190.5	7.50	2.16	3830	50	4.8
HDS 1000 XL	752.62.90	254.0	10.00	2.42			
HDS 1200 XL	752.62.92	304.8	12.00	2.69			

Standard length: 3.048 m - 10 feet (80 links).