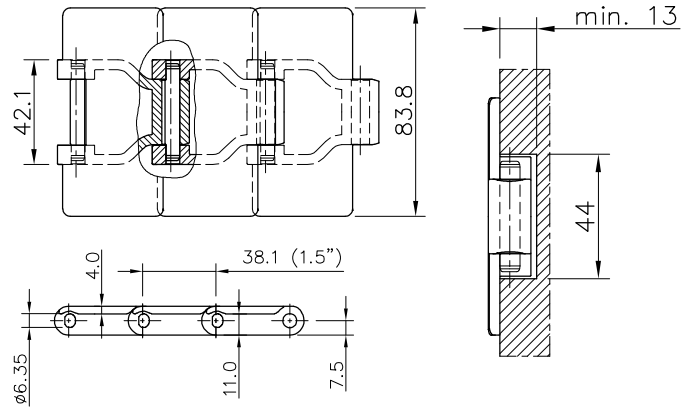


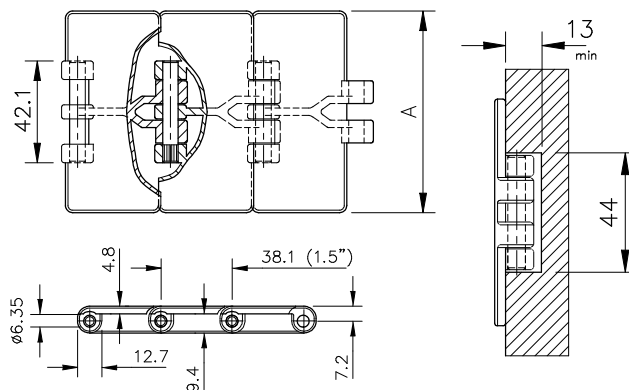
Straight Run Single Hinge Sideflex Joint Hinge



Chain Type	Code Number	Plate Width		Weight	Working Load (max.)	Backflex Radius (min)	Plate Thickness
		A					
		mm	inch	kg/m	N (21°C)	mm	mm
XL-Acetal							
SHP 325 XL	750.10.22	82.5	3.25	0.94	2100	50	4.0
SHP 84 XL	750.12.35	83.8	3.30	0.94			
PSX Advanced Performance Polymer Alloy							
SHP 325 PSX	750.10.46	82.5	3.25	0.94	2100	50	4.0
SHP 84 PSX	750.10.45	83.8	3.30	0.94			

Standard length: 3.048 m - 10 feet (80 links).

Straight Run Single Hinge With Thick Top Plate



Chain Type	Code Number	Plate Width		Weight	Working Load (max.)	Backflex Radius (min)	Plate Thickness
		A					
		mm	inch	kg/m	N (21°C)	mm	mm
XL-Acetal							
SHD 325 XL	750.92.31	82.5	3.25	0.87	1230	50	4.8
SHD 450 XL	750.92.42	114.3	4.50	1.06			
SHD 750 XL	750.92.72	190.5	7.50	1.53			
LF-Acetal							
LF 831-K325	L0831603821	82.5	3.25	0.83	1230	50	4.8
LF 831-K450	L0831603831	114.3	4.50	1.03			
LF 831-K750	L0831603841	190.5	7.50	1.47			
HP-Acetal							
HP 831-K325	L0831613261	82.5	3.25	0.83	1230	50	4.8
HP 831-K450	L0831613271	114.3	4.50	1.03			
HP 831-K750	L0831613281	190.5	7.50	1.47			
PSX Advanced Performance Polymer Alloy							
PSX 831 K325	L0831655393	82.5	3.25	0.87	1230	50	4.8
BWX-Polyamide Composite							
BWX 831-K325	L0831651623	82.5	3.25	0.87	1230	50	4.8

Standard length: 3.048 m - 10 feet (80 links).