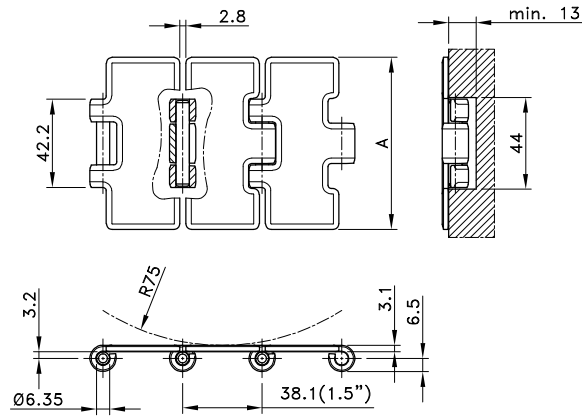


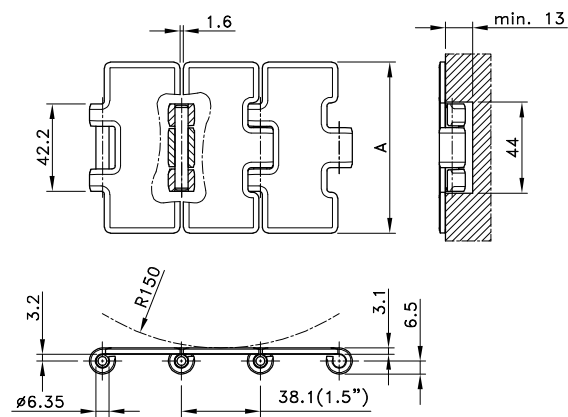
Straight Run Single Hinge



Chain Type	Code Number	Plate Width		Weight	Surface Flatness (max.)	Polished Hinge Eyes	Working Load (max.)
		A	A				
		mm	inch				
10-Series							
10 S 31	762.10.31	82.a5	3.25	2.55	0.10	no	4950
10 S 31 S	762.12.31	82.5	3.25	2.55	0.10	yes	
Ferritic Stainless Steel							
SS 812-K325	10.001.11.11	82.5	3.25	2.55	0.18	no	4950

Standard length: 3.048 m - 10 feet (80 links).

Straight Run Single Hinge Max-Line



Chain Type	Code Number	Plate Width		Weight	Surface Flatness (max.)	Polished Hinge Eyes	Working Load (max.)
		A	A				
		mm	inch				
10-Series							
10 S 31 M	762.13.31	82.5	3.25	2.61	0.18	no	4950
10 S 42 M	762.13.42	114.3	4.50	3.28	0.25	no	
10 S 72 M	762.13.72	190.5	7.50	4.99	0.60	no	
60-Series							
60 S 22 M	762.69.22	63.5	2.50	2.14	0.10	yes	6000
60 S 25 M	762.53.25	66.7	2.63	2.27	0.18	no	
60 S 23 M	762.53.23	69.9	2.75	2.34	0.18	no	
60 S 30 M	762.53.30	76.2	3.00	2.43	0.18	no	
60 S 31 M	762.53.31	82.5	3.25	2.61	0.18	no	
60 S 31 XM	762.69.31	82.5	3.25	2.61	0.08	yes	
60 S 84 XM	762.69.84	84.0	3.30	2.63	0.08	yes	
60 S 32 M	762.53.32	88.9	3.50	2.71	0.18	no	
60 S 32 SM	762.69.32	88.9	3.50	2.71	0.10	yes	
60 S 40 M	762.53.40	101.6	4.00	3.17	0.25	no	
60 S 42 M	762.53.42	114.3	4.50	3.28	0.25	no	
60 S 60 M	762.53.60	152.4	6.00	4.14	0.40	no	
60 S 72 M	762.53.72	190.5	7.50	4.99	0.60	no	