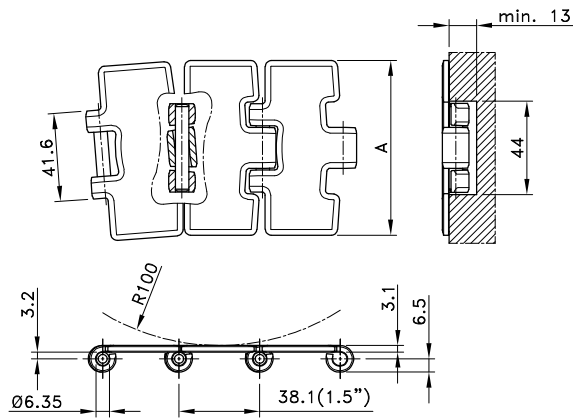


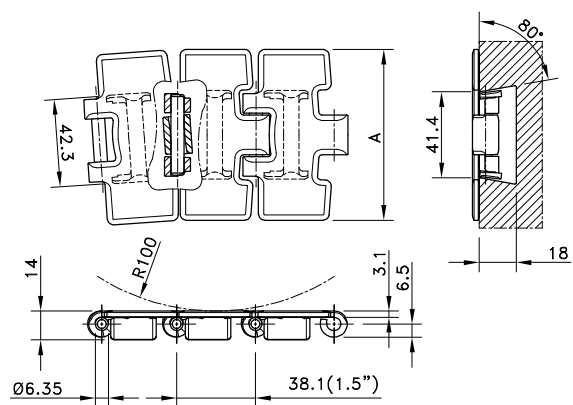
Magnetflex® Single Hinge Max-Line



Chain Type	Code Number	Plate Width		Weight	Surface Flatness (max.)	Polished Hinge Eyes	Working Load (max.)
		A					
		mm	inch				
10-Series							
10 M 31 M	767.13.31	82.5	3.25	2.50	0.18	yes	4950
10 M 42 M	767.13.42	114.3	4.50	3.12	0.25	yes	
10 M 72 M	767.13.72	190.5	7.50	4.59	0.60	yes	
60-Series							
60 M 31 M	767.53.31	82.5	3.25	2.50	0.18	yes	6000
60 M 31 XM	767.69.31	82.5	3.25	2.50	0.08	yes	
60 M 84 XM	767.69.84	84.0	3.30	2.52	0.08	yes	
60 M 42 M	767.53.42	114.3	4.50	3.12	0.25	yes	
60 M 72 M	767.53.72	190.5	7.50	4.59	0.60	yes	
60-Series HB							
60 M 31 XM HB	767.69.15	82.5	3.25	2.61	0.08	yes	6000
60 M 84 XM HB	767.69.14	84.0	3.30	2.63	0.08	yes	
66-Series XHB							
66 M 31 XM XHB	767.09.31	82.5	3.25	2.50	0.08	yes	6000
66 M 84 XM XHB	767.09.84	84.0	3.30	2.52	0.08	yes	
66 M 72 M XHB	767.03.72	190.5	7.50	4.59	0.60	yes	

Standard length: 3.048 m - 10 feet (80 links). Sideflex radius min. 500 mm.

Sideflex Single Hinge Bevel Max-Line



Chain Type	Code Number	Plate Width		Weight	Surface Flatness (max.)	Polished Hinge Eyes	Working Load (max.)
		A					
		mm	inch				
Opti-Plus							
SSC 8811-K325	10.115.21.11	82.5	3.25	2.90	0.18	no	6000
SSC 8811-K350	10.115.21.12	88.9	3.50	3.10	0.18	no	
SSC 8811-K450	10.115.21.14	114.3	4.50	3.60	0.25	no	
SSC 8811-K750	10.115.21.16	190.5	7.50	5.30	0.60	no	

Standard length: 3.048 m - 10 feet (80 links). Sideflex radius min. 500 mm.